

Camera Rain cover - INSX200W

Material: Aluminium & SGCC

Dimensions: 129.3mm x 127mm x 147mm

Color: White

Type of Installation: Junction

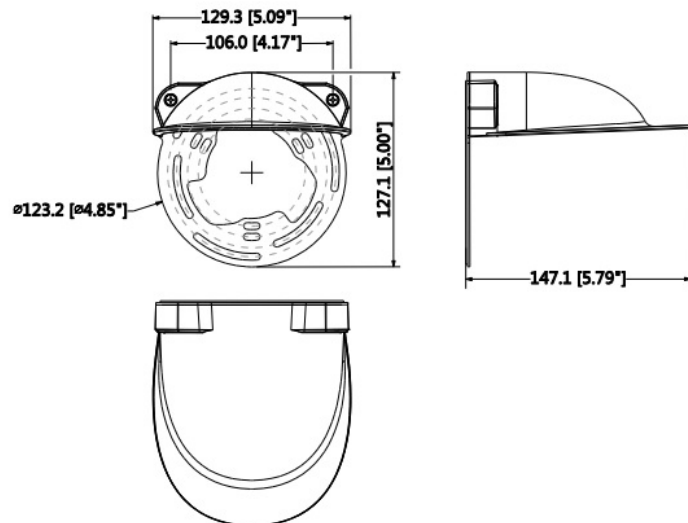
Net Weight: 0.25kg

Load Bearing Capacity: N/A

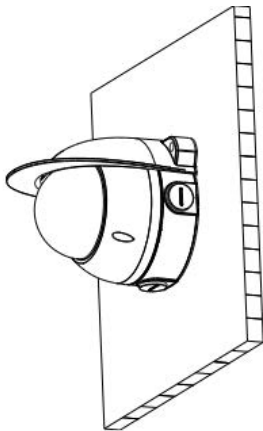
Work with: INSX152



Dimensions (mm)



Applications



Work with:



INSX152